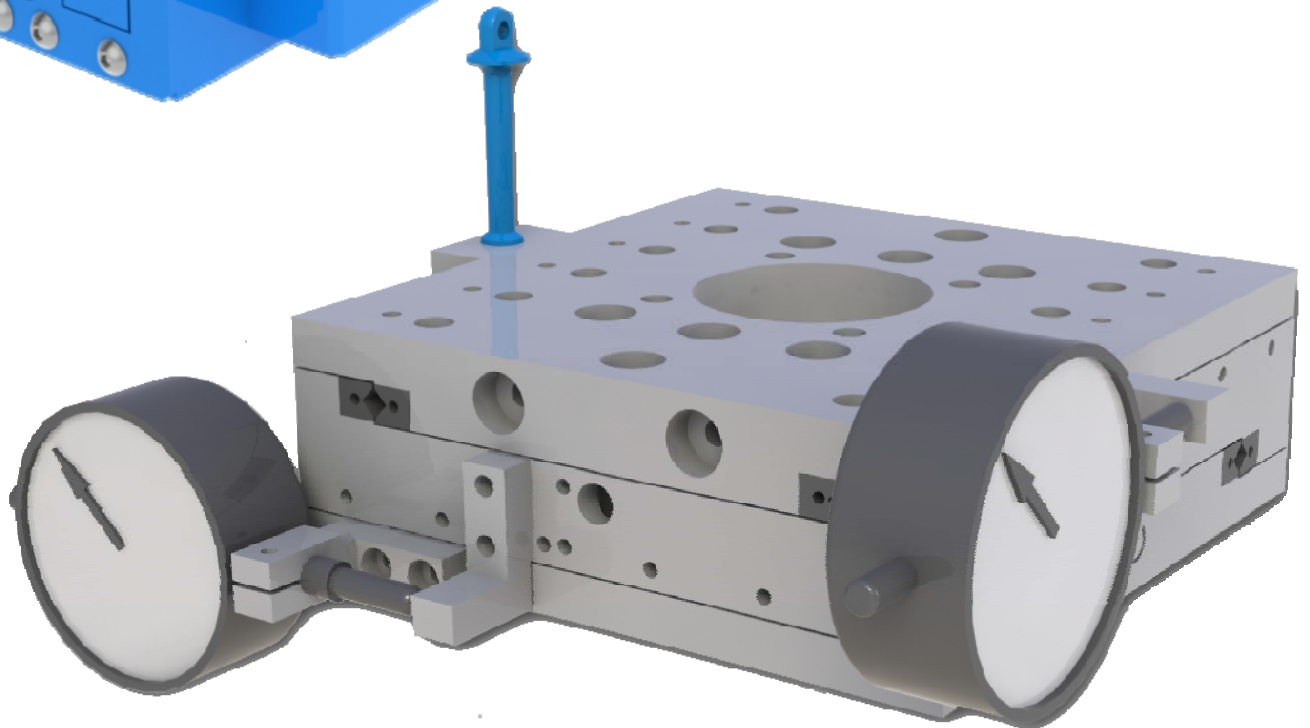


Slides and Cross slides Alufix Classic / ECO / Aluquick

New!
07 / 2010



Modular Fixturing Systems



Fixed on precision

NEW Slides and Cross slides for Alufix ECO / Aluquick

A further development of our ECO and Aluquick ranges is a new or rather modified slide. Mounting two slides at a ninety degree angle to one another results in a cross slide adjustable in X and Y, which can be used in combination with Alufix ECO, grid sizes 25, 40 and 50 as well as Aluquick in grid sizes 40 and 50.

The new series is characterized by integration of guides and pins (previously an option), manufacture in a different material, reduction of single parts and integration of function. All cross slides are equipped with a screw spindle and scale with nonius (Roller slide) or alternatively full floating with a slide stop (Guiding slide).

Naturally the new slides are compatible to previous and currently available versions.

Witte offers slides and cross slides for all kinds of applications and loads. We will gladly advise on the best solution for your particular application.



Technical data single slides

	AF ECO / Aluquick 50x50	AF ECO / Aluquick 80x80	AF ECO / Aluquick 100x100
Height / width / length (mm)	50 x 75 x 75	80 x 120 x 120	100 x 150 x 150
Range of adjustment (mm)	± 13,5 1mm / rotation 0,05mm / scale line	± 22 1mm / rotation 0,05mm / scale line	± 27 1mm / rotation 0,05mm / scale line
Spindle adjustment	Allen screw WAF5	Allen screw WAF8	Allen screw WAF10
Connection via	4x AF25-Thread M6 4x AF25-Basic holes Ø12,5H7 / M6	4x AF40-Thread M10 4x AF40-Basic holes Ø20H7 / M10	4x AF50-Thread M12 4x AF50-Basic holes Ø25H7 / M12
Loadcapacity (kg)	50kg with vertical load	150kg with vertical load	250kg bei with vertical load
Weight (g)	approx. 260g	approx. 2000g	approx. 4000g
Item number	Single / Cross	Single / Cross	Single / Cross
Aluquick roller slide	281697 / 281703	281698 / 281704	281699 / 281705
Aluquick guiding slide	281700 / 281706	281701 / 281707	281702 / 281708
Alufix Eco roller slide	82172-E / 82462-E	82173-E / 82463-E	82398-E / 82399-E
Alufix Eco guiding slide	82002-E / 82437-E	82016-E / 82438-E	82441-E / 82439-E

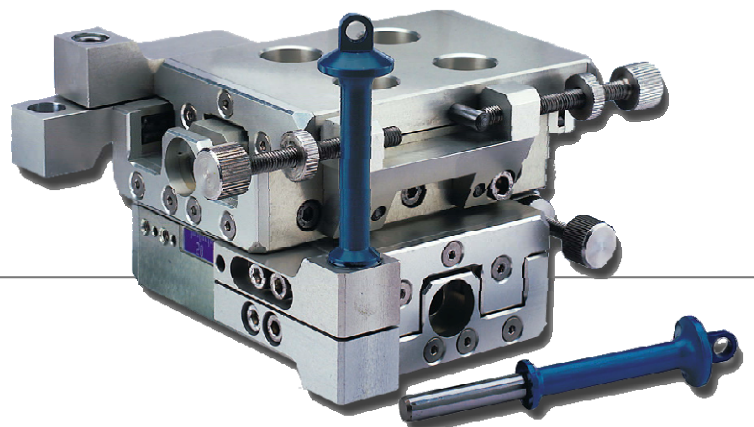
All other technical data is identical with Alufix Classic System shown here with optional slide stop, guides and pins



Certifications

Witte Barskamp is certified according to

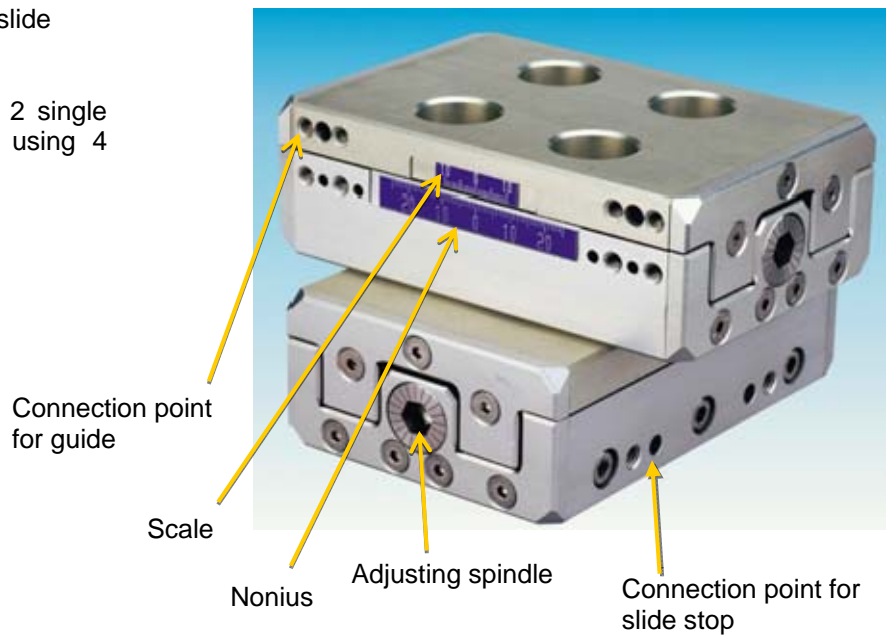
- DIN EN ISO 9001
- DIN EN ISO 9100
- QSF-A (Aerospace suppliers)



Slides and cross slides for Alufix Classic

The roller slide can be modified to a guiding slide (remove 4 screws and spindle)

The cross roller slides always comprise of 2 single roller slides, which are screwed together using 4 countersunk screws and reducer sleeves



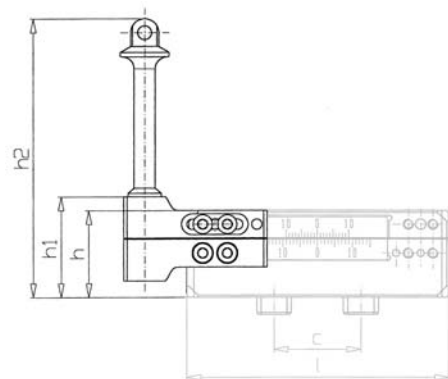
Technical data single slides

	AF 16	AF 25	AF 40	AF 50
Height / width / length	32 x 48 x 48	50 x 75 x 75	80 x 120 x 120	100 x 150 x 150
Range of adjustment (mm)	± 9 0,7mm / rotation 0,035mm / scale line	± 13,5 1mm / rotation 0,05mm / scale line	± 22 1mm / rotation 0,05mm / scale line	± 27 1mm / rotation 0,05mm / scale line
Spindle adjustment	Allen screw WAF2	Allen screw WAF5	Allen screw WAF8	Allen screw WAF10
Connection via	4x AF16-Thread M4 4x AF16-Basic holes Ø8H7 / M4	4x AF25-Thread M6 4x AF25-Basic holes Ø12,5H7 / M6	4x AF40-Thread M10 4x AF40-Basic holes Ø20H7 / M10	4x AF50-Thread M12 4x AF50-Basic holes Ø25H7 / M12
Loadcapacity (kg)	20kg with vertical load	50kg with vertical load	150kg with vertical load	250kg bei with vertical load
Weight (g)	approx. 130g	approx. 260g	approx. 2000g	approx. 4000g
Item number	Single / Cross	Single / Cross	Single / Cross	Single / Cross
Roller slide	82453 / 82461	82172 / 82462	82173 / 82463	82398 / 82399
Guiding slide	82015 / 82436	82002 / 82437	82016 / 82438	82441 / 82439

Guide with pin

For locking Alufix Classic slides in "0" position

Item No.	AF	Version	l	b	h	h1	h2
82711	25	left	41	14	25	29	80,5
84321	25	right	41	14	25	29	80,5
82833	40	left	66	22	40	47	119
84320	40	right	66	22	40	47	119
83083	50	left	82	26	50	58	135
84322	50	right	82	26	50	58	135



Heavy duty (HD) slides with slider bearing

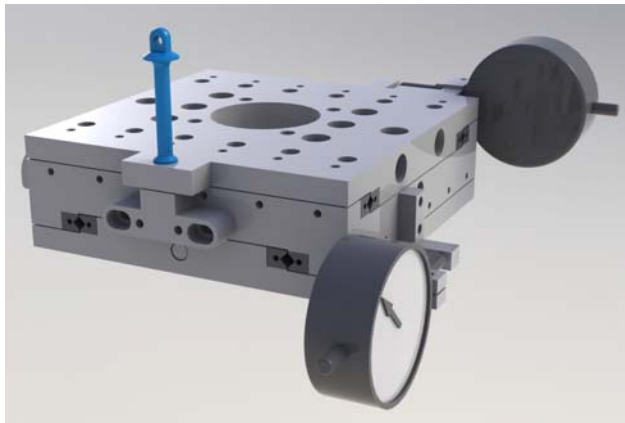
NEW!
On request available
with needle rollers



Technical data single slides

	AF25	AF40	AF50
Height / width / length (mm)	25 x 79 x 75	40 x 130 x 120	50 x 158 x 150
Range of adjustment (mm)	± 12,5 0,8mm / rotation	± 20 1,25mm / rotation	± 25 1,5mm / rotation
Spindle adjustment	Allen screw WAF4	Allen screw WAF6	Allen screw WAF8
Connection via	4x AF25-Thread M6 4x AF25-basic holes Ø12,5H7 / M6	4x AF40-Thread M10 4x AF40-basic holes Ø20H7 / M10	4x AF50-Thread M12 4x AF50-basic holes Ø25H7 / M12
Load capacity (kg)	75kg with vertical load	225kg with vertical load	375kg with vertical load
Weight (g)	approx. 300g	approx. 1190g	approx. 6800g
Item Number	Single / Cross	Single / Cross	Single / Cross
with slider bearing	92364 / 92031	92423 / 92425	92424 / 92426

Cross roller slide with centre clearance/pass



For instance for
pneumatic / hydraulically
operated hook clamps

Height / width / length (mm)	50 x 150 x 150
Range of adjustment	± 20 mm
Connection via	AF 25 basic holes Ø12,5H7 / M6
Load capacity	300 kg with vertical load
Weight	approx. 6500 g
Item Number	92736

Technical data does not include guide and pin (#49423, #49424, #91384), stop (#301822), or dial gauge holder (#301823)

**Witte -
Specialists for**

**Modular Fixturing
Systems**

Subcontracting

**Vacuum Clamping
Systems**

Germany

**Witte Barskamp
GmbH & Co. KG**
Horndorfer Weg 26-28
D-21354 Bleckede Germany
Tel.: +49 (0)5854 89-0
Fax: +49 (0)5854 89-40
E-Mail: info@witte-barskamp.de
www.witte-barskamp.de

Asia

Witte Far East Pte Ltd
1st. Level
13 Joo Koon Crescent
SGP-629021
Singapore
Tel.: +65-6248 5961
Fax: +65-6898 4542
E-Mail: info@witteasia.com
www.witteasia.com

USA & Canada

Witte America
120E Market Street
Suite 455
Indianapolis, IN 46204
Tel.: 317-822-7003
Fax: 317-822-7009
E-Mail: info@witteamerica.com
www.witteamerica.com

Mexico

Horst Witte de Mexico
S.A. de C.V., c/o Linco
Paseo Opera 4 Int 112-2
Lomas de Angelopolis
San Andres Cholula,
Puebla 72830, Mexico
Phone: +52(222)563-7929
E-Mail: info@wittemexico.com
www.wittemexico.com

Witte puts your ideas into practice!

